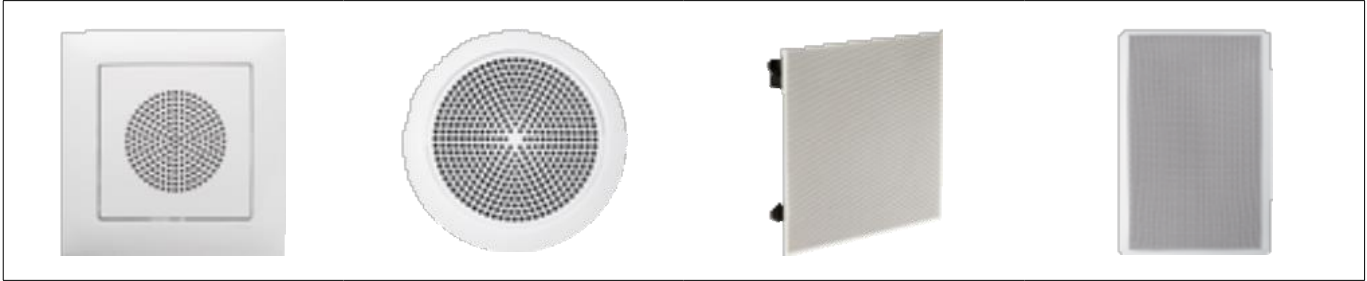


## DESCRIPTION

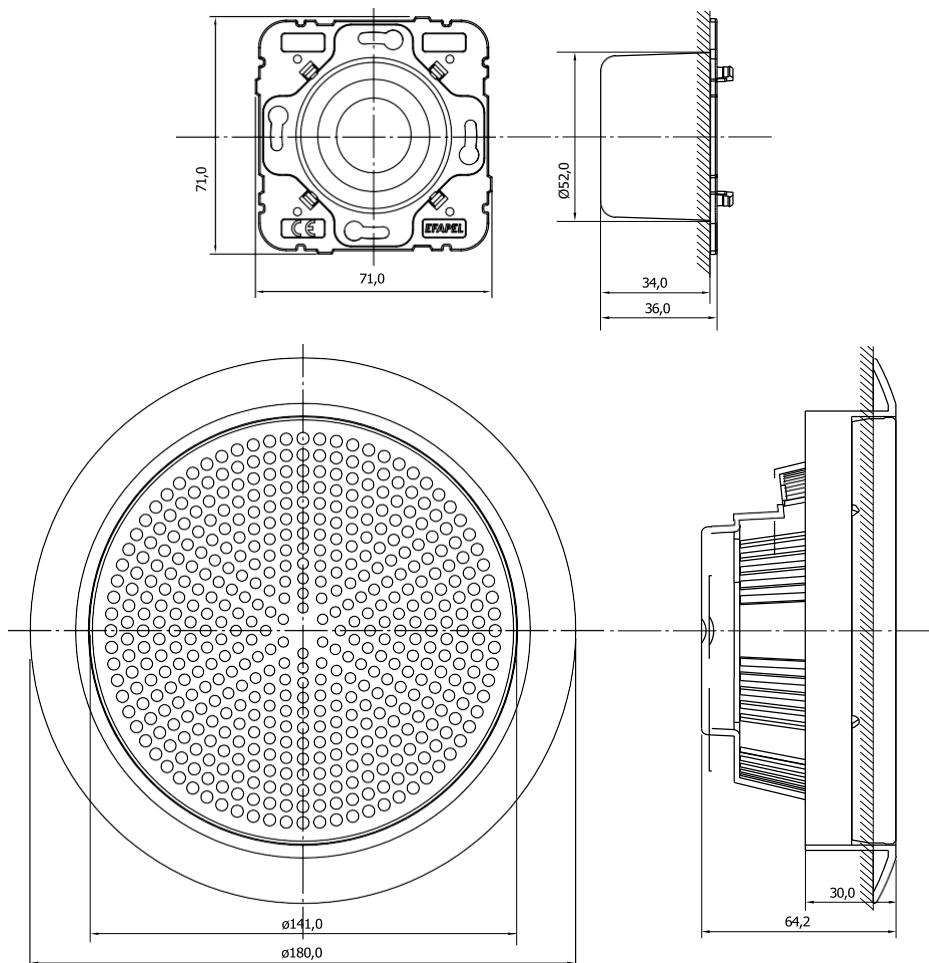
- The Loudspeakers are responsible for receiving the audio signal from the Sound Control Units and turning it into vibrations that are transmitted to the environment, originating sound.



## CHARAC

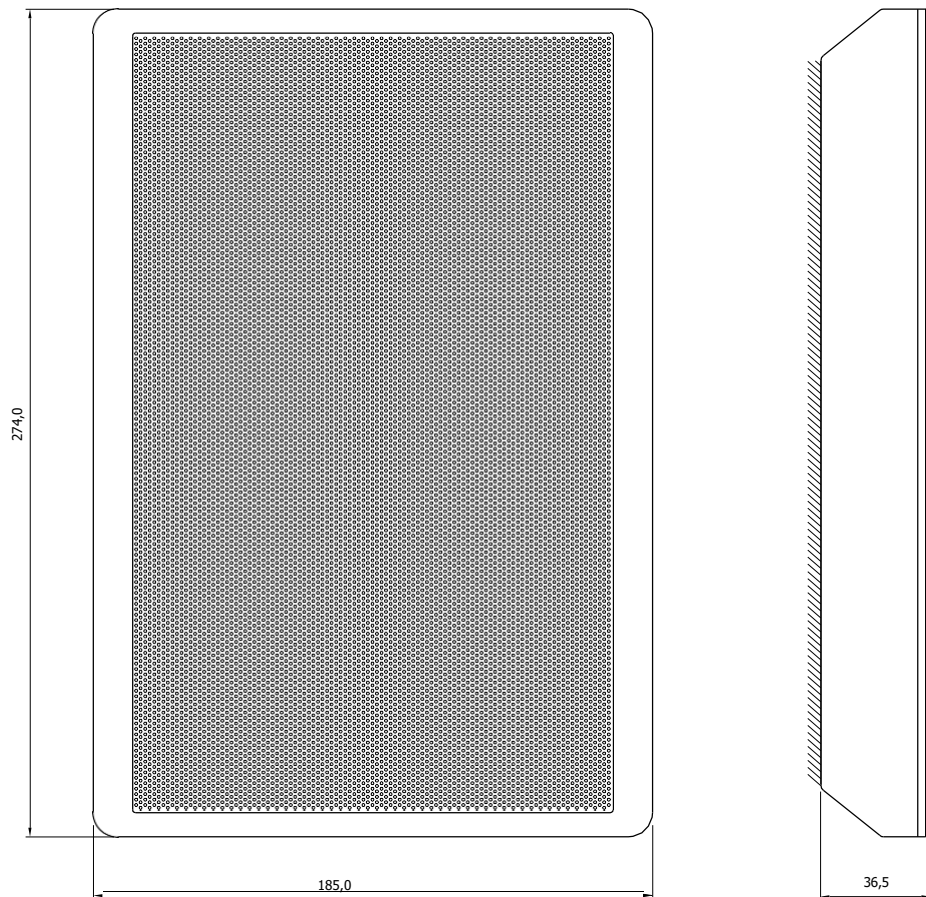
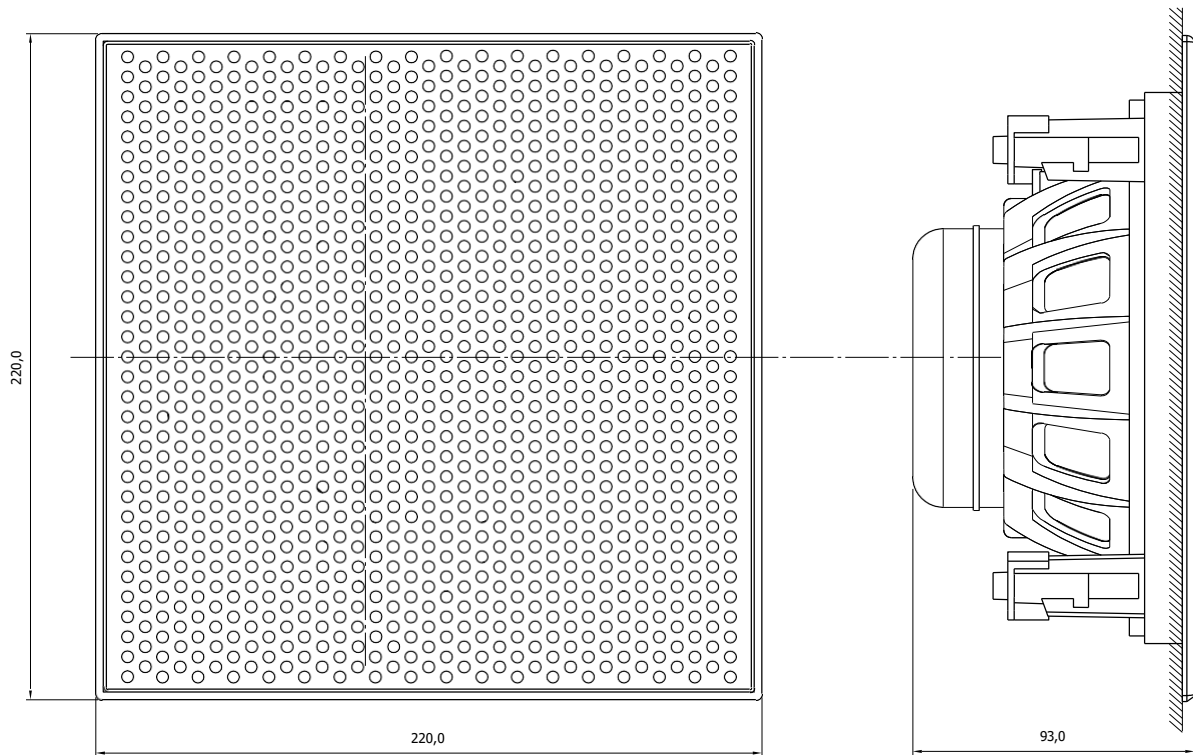
PARAMETER	UNIT	MODEL				OBSERVATIONS
		2"	5"	6,5"	5"	
TYPE	INCHES	2"	5"	6,5"	5"	1" = 2,54cm
INSTALLATION	—	FLUSH MOUNTING			SURFACE MOUNTING	—
IMPEDANCE	Ohm	32	32 / 16 / 8	32 / 16 / 8	32 / 16 / 8	—
MAXIMUM POWER	W	10	30	60	15	—
FREQUENCY RESPONSE	Hz	450 to 5000	70 to 15000	60 to 20000	80 to 19000	-6dB

## DIMENSIONS (mm)



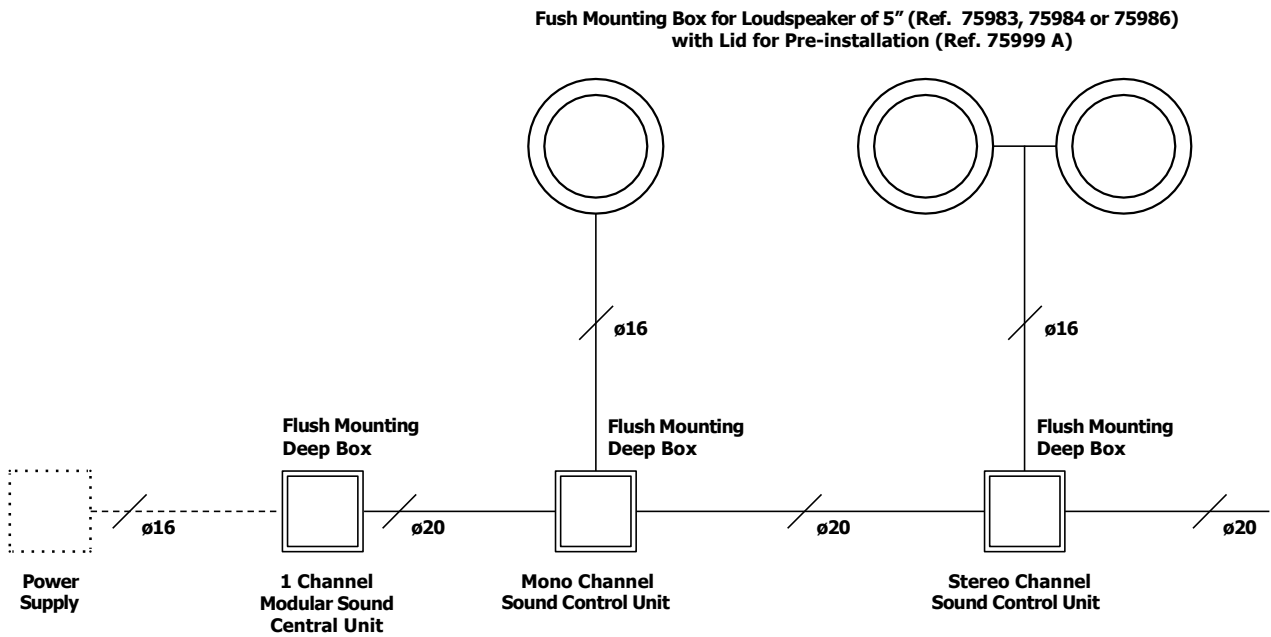
## 6. LOUDSPEAKERS (CONTINUATION)

### DIMENSIONS (mm)



## 7. PRE-INSTALLATION

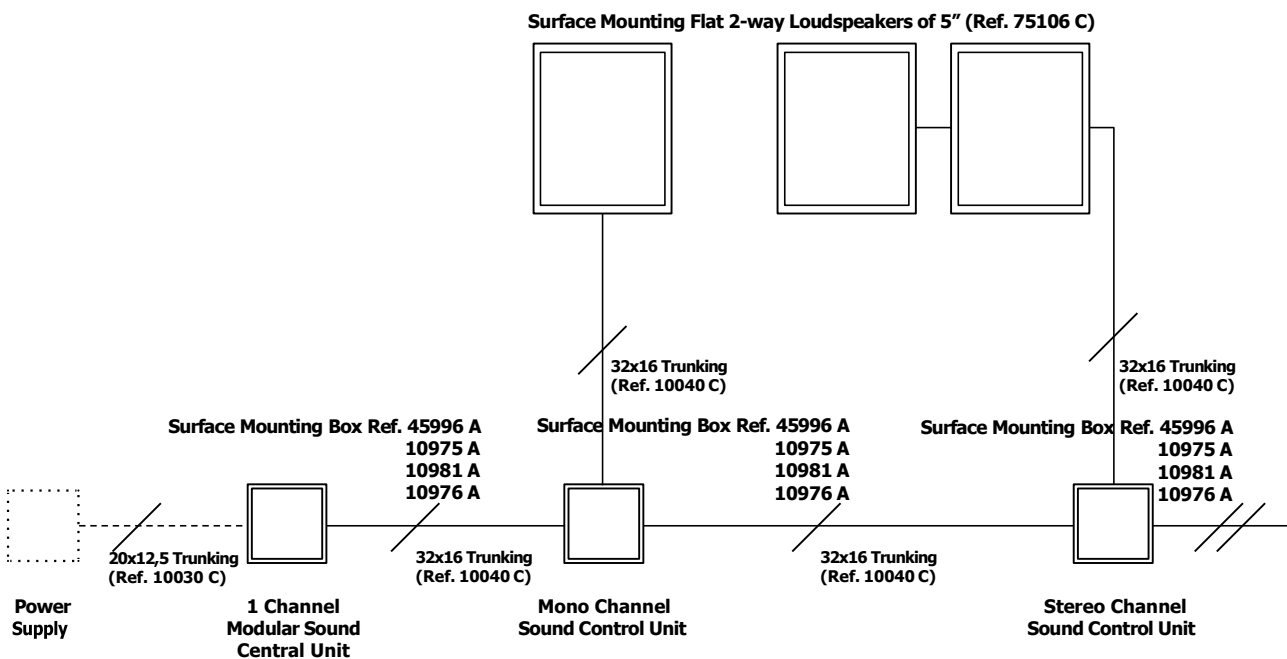
### ■ FLUSH MOUNTING PRE-INSTALLATION



#### Notes:

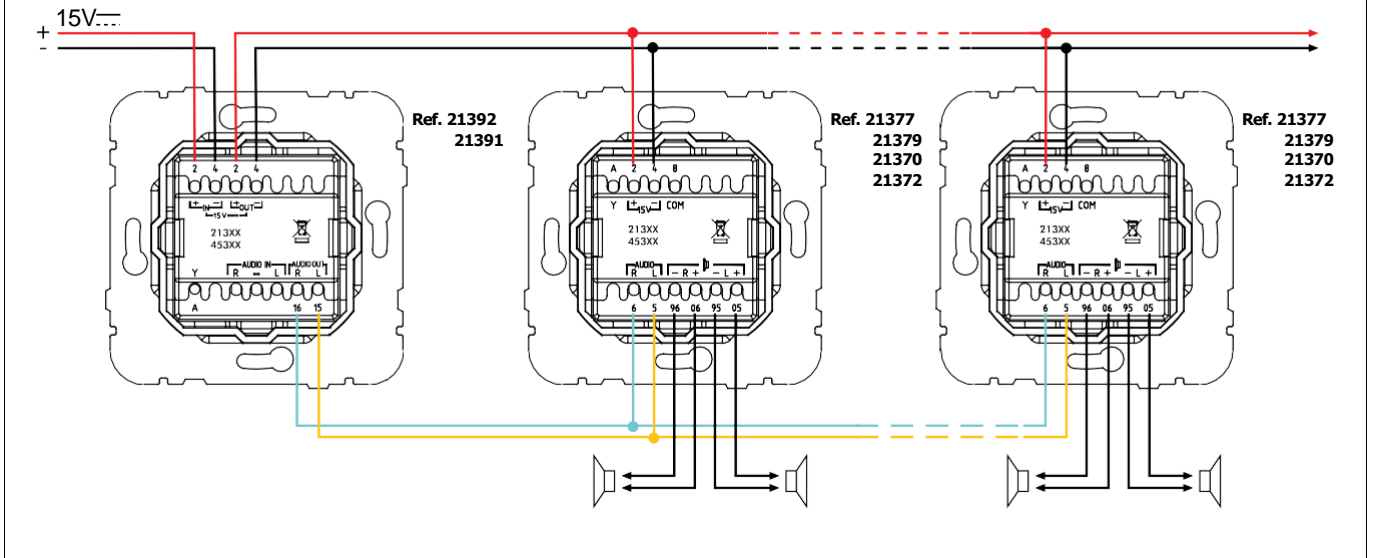
- To install the Loudspeakers of 5" in hollow ceilings, the diameter of the hole should be  $\phi 160\text{mm}$ .
- For Loudspeakers of 6,5" the opening should be square and with dimensions of **185mm x 185mm**.

### ■ SURFACE MOUNTING PRE-INSTALLATION

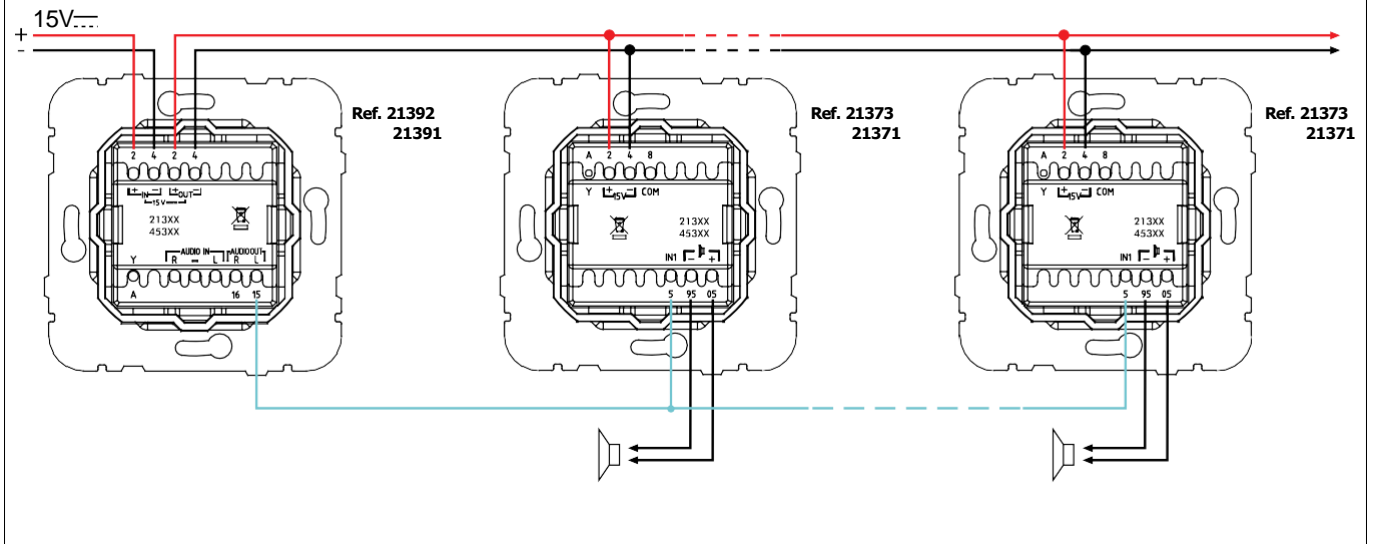


## 8. INSTALLATION WITH MODULAR SOUND CENTRAL UNIT

### ■ 1 STEREO CHANNEL SOUND CONTROL UNIT WITH/WITHOUT FM TUNER

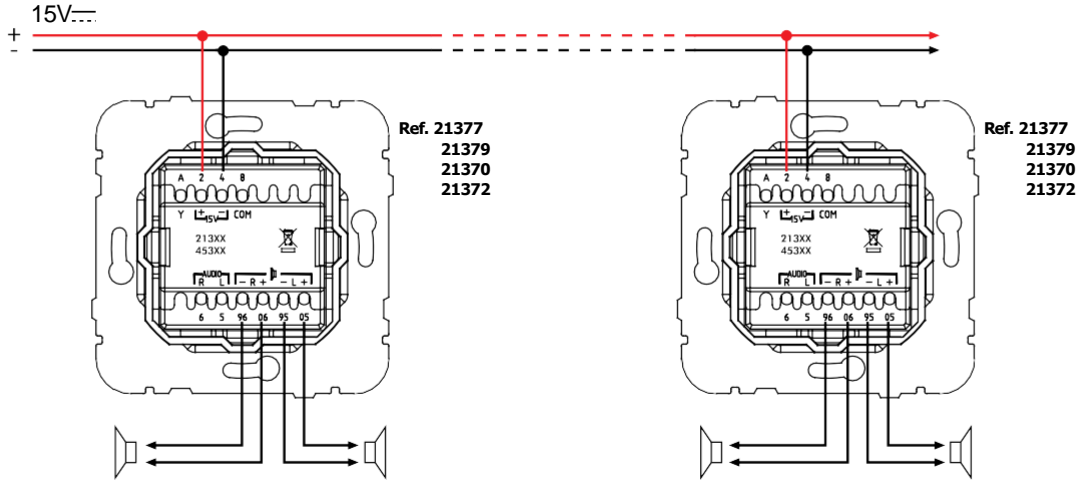


### ■ 1 MONO CHANNEL SOUND CONTROL UNIT WITH/WITHOUT FM TUNER

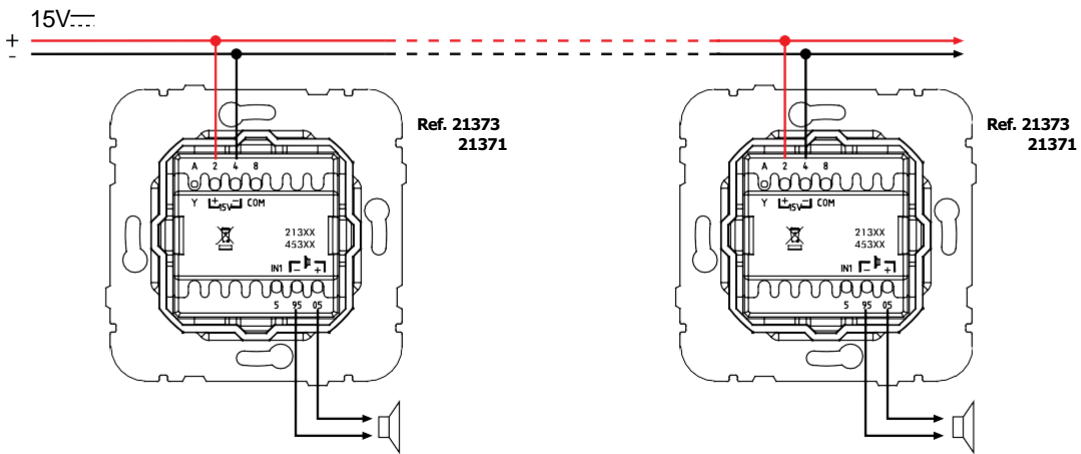


## 9. INSTALLATION WITHOUT MODULAR SOUND CENTRAL UNIT

### ■ STEREO CHANNELS SOUND CONTROL UNIT WITH/WITHOUT FM TUNER



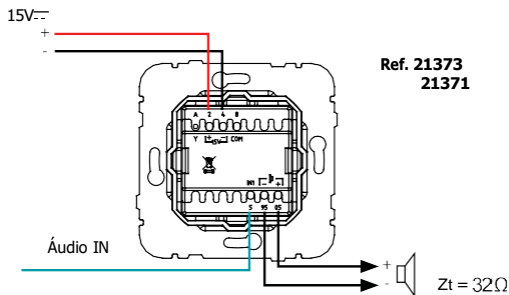
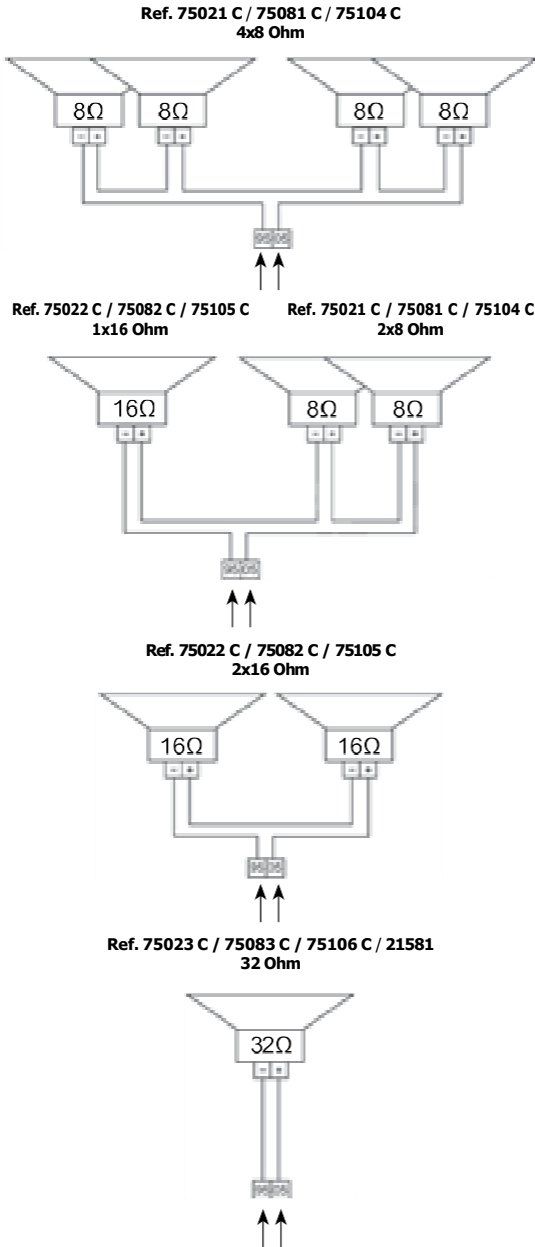
### ■ MONO CHANNELS SOUND CONTROL UNIT WITH/WITHOUT FM TUNER



## 10. SELECTION GUIDE OF LOUDSPEAKERS

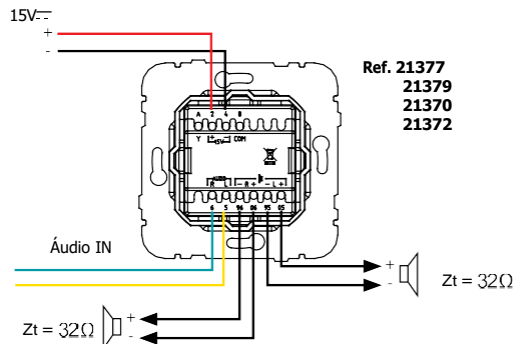
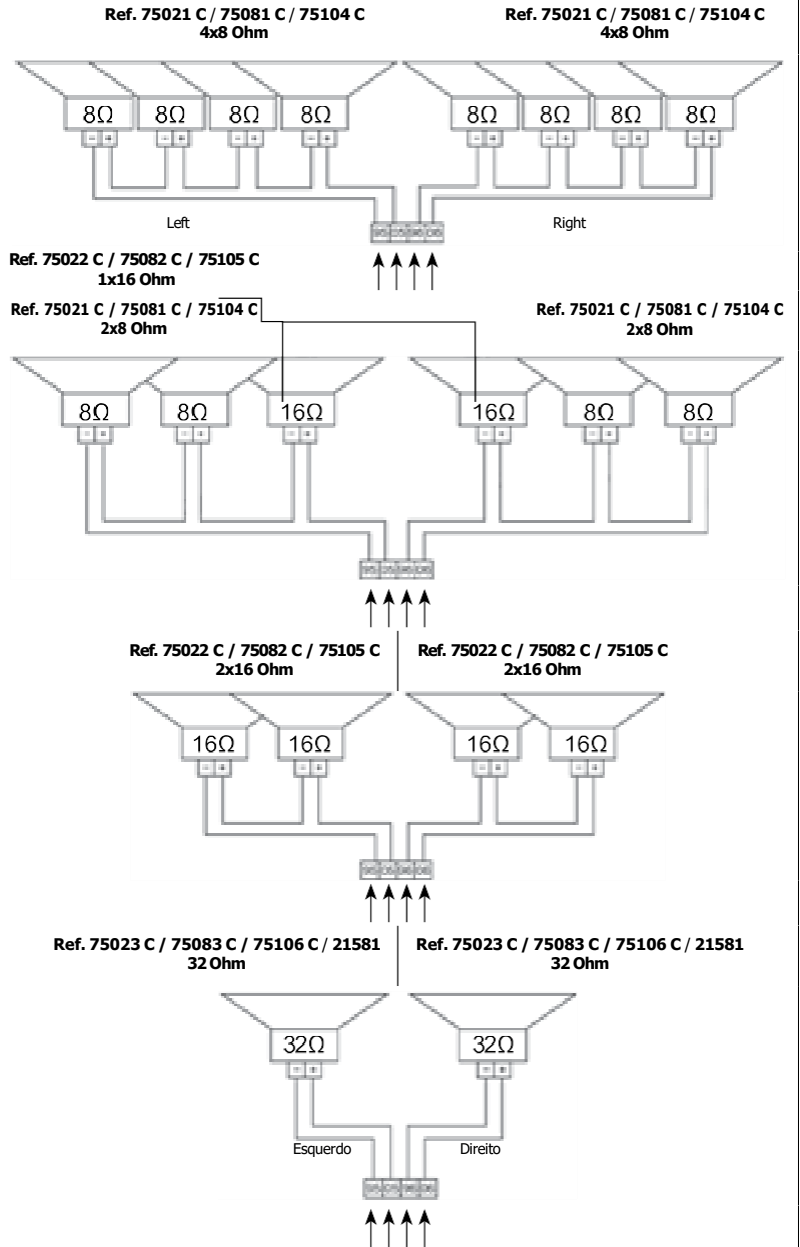
### MONO INSTALLATION

The total impedance of the serial / parallel connection must be equal to 32 Ohm, for output



### STEREO INSTALLATION

The total impedance of the serial / parallel connection must be equal to 32 Ohm, for output

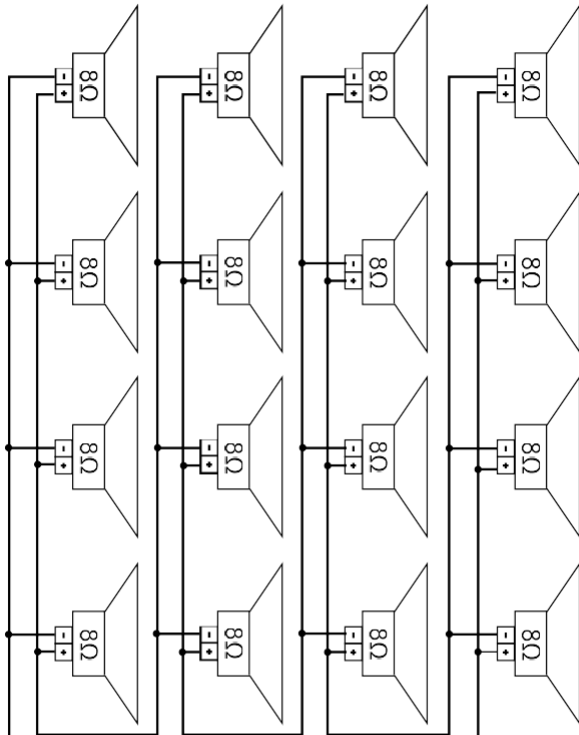


## 10. SELECTION GUIDE OF LOUDSPEAKERS (CONTINUATION)

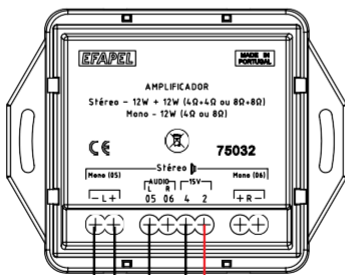
### MONO INSTALLATION OF 16 LOUDSPEAKERS WITH STEREO/MONO AMPLIFIER

4 groups in series of 4 Loudspeakers - 8 Ohm in parallel (= 8Ω)

Ref. 75021 C / 75081 C / 75104 C  
16x8 Ohm



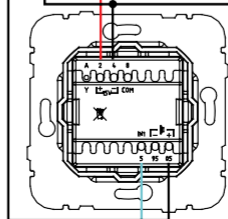
Ref. 75032



Zt=8Ω

15VDC +

Ref. 21373  
21371



Áudio IN

### STEREO INSTALLATION OF 10 TO 16 LOUDSPEAKERS WITH STEREO/MONO AMPLIFIER

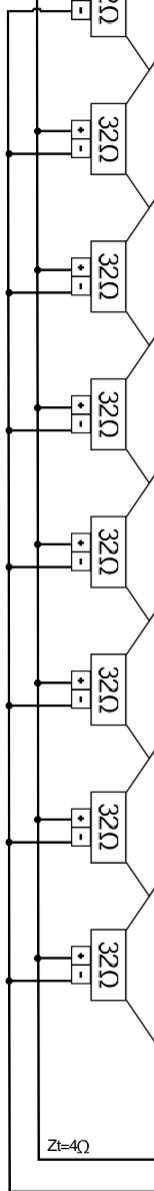
The total impedance of the parallel must be equal to 4 Ohm, for output

Left Channel

Ref. 75023 C /  
75083 C /  
75106 C  
8x32 Ohm

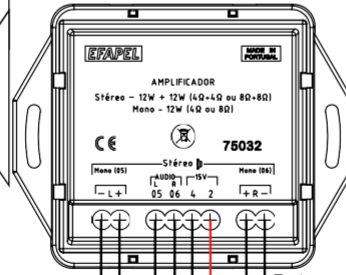
Ref. 75023 C /  
75083 C /  
75106 C  
8x32 Ohm

Right Channel



Zt=4Ω

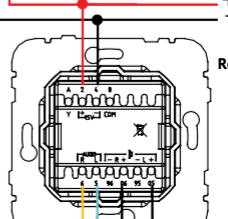
Ref. 75032



Zt=4Ω

15VDC +

Ref. 21377  
21379  
21370  
21372



Áudio IN