

63A

SOCKET & PLUGS

Zone 1,2,21,22



2014/04/EU
IECEX System
Management
System
Valid until:
28.02.2031
www.lor.com
ID: 9105068398



SPECIFICATION

TYPE : Ex plug and socket (63A)

Material

-Body & cover :

Aluminum alloy, copper free aluminum(as an option)

Aluminum cap with chain to prevent from losing

Brass pins Nickel plated

Marking: Ex II 2 G D

Application:

Ex d II C T6 Gb , Ex t III C T80° C Db

Ambient Temperature : -30° C to +55° C/-20° C to +40° C

Rated Voltage: Up to 690v (see the ordering table)

Rated current : Up to 32A

Internal switch conductor size : 2xM6(up to 10mm²)

Frequency : 50/60 Hz

Rated Marking/Breaking capacity : AC-3

Ingress protection :

IP 66 to IEC 60529 when plug inserted to socket

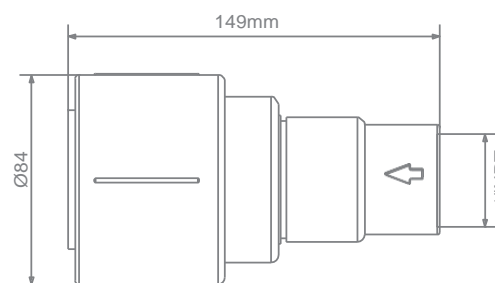
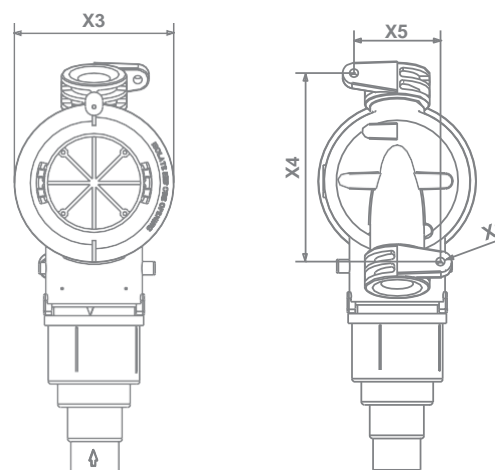
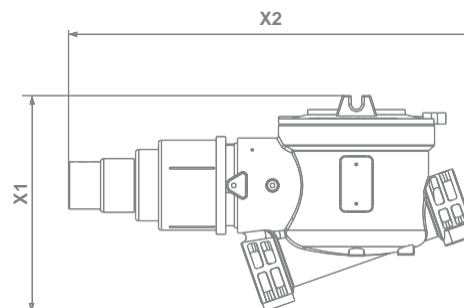
Entries

-Socket : 2x1 NPT,one plugged

(other thread forms available on request)

-Plugs : 1x1 NPT

EU type examination certificate:LOM 17ATEX1036X



Size code	X1	X2	X3	X4	X5	X6
63A	200	380	Ø146	184	83	Ø8

63A

Ordering code system				
AA	Z	RE	C	XX
Body size	voltage(color)	RE: Socket PL:Plug	NO.OF PINS	Switching capacity
Socket Example			63 S RE 4 63	
Plug Example			63 S PL 4 63	



SOCKET & PLUGS

Zone 1,2,21,22

Color code		
$\frac{20}{25}$ V	VIOLET	V
$\frac{40}{50}$ V	WHITE	W
(32A) 500 V	BLACK	L
$\frac{100}{130}$ V	YELLOW	Y
$\frac{200}{250}$ V	BLUE	B
$\frac{380}{415}$ V	RED	R
(32A) 50V	GREEN	G
(63A): M.440V	SILVER	S

Body size
16
32
63



BODY SIZE	SOCKET(RE)	FREQUENCY(Hz)	ENTRY	NUMBER OF PINS	POLARITY	SWITCHING CAPACITY	ORDERING CODE
63	RE	50/60	1 NPT	3	2P+E	10A	63 S RE 3 10
					2P+E	15A	63 S RE 3 15
					2P+E	20A	63 S RE 3 20
					2P+E	30A	63 S RE 3 30
					2P+E	40A	63 S RE 3 40
					2P+E	50A	63 S RE 3 50
					2P+E	63A	63 S RE 3 63
				4	3P+E	10A	63 S RE 4 10
					3P+E	15A	63 S RE 4 15
					3P+E	20A	63 S RE 4 20
					3P+E	30A	63 S RE 4 30
					3P+E	40A	63 S RE 4 40
					3P+E	50A	63 S RE 4 50
					3P+E	63A	63 S RE 4 63

*other pin arrangement available upon request