

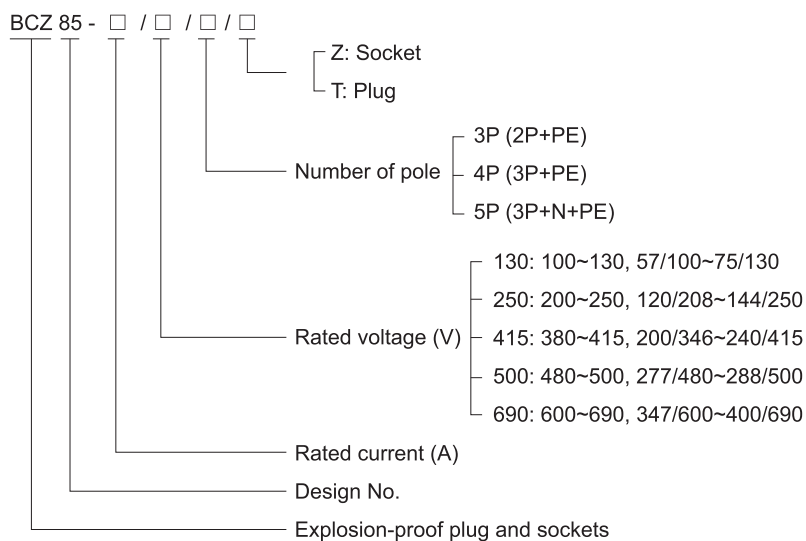
## Plug and Sockets

### BCZ85 Series Explosion-proof Plug and Sockets



- ◆ Explosion protection to
  - CENELEC
  - IEC
  - NEC
- ◆ Can be used in
  - Zone 1 and Zone 2
  - Zone 21 and Zone 22
  - Class I, Zone 1 and Zone 2
  - Class I, Division 1, Groups A, B, C, D
- ◆ Four enclosure types; Four current ratings (16A, 32A, 63A, 125A); 3P, 4P or 5P.
- ◆ Plug can only be pulled out when switch is off; turn on the power after inserting the plug.
- ◆ Copper-free aluminium enclosure, powder coated surface.

#### ■ Catalogue number logic



## Zones 1&2; 21&22

## Plug and Sockets

### BCZ85 Series Explosion-proof Plug and Sockets

Selection table								
Version	Current (A)	Voltage (V)	Number of pole	Schematic diagram	h	Colour	Ordering code	Weight (kg)
	16	100~130	2P+PE		4	Yellow	30147	2.60
		200~250			6	Blue	30148	2.60
		100~130	3P+PE		4	Yellow	30149	2.60
		200~250			9	Blue	30150	2.60
		380~415			6	Red	30151	2.60
		480~500			7	Black	30152	2.60
		600~690			5	Black	30153	2.60
		57/100~75/130		3P+N+PE		4	Yellow	30154
		120/208~144/250			9	Blue	30155	3.40
		200/346~240/415			6	Red	30156	3.40
		277/480~288/500			7	Black	30157	3.40
		347/600~400/690			5	Black	30158	3.40
			32	200~250	2P+PE		6	Blue
200~250	3P+PE				9	Blue	30160	3.40
380~415					6	Red	30161	3.40
480~500					7	Black	30162	3.40
600~690					5	Black	30163	3.40
120/208~144/250	3P+N+PE				9	Blue	30164	3.40
200/346~240/415					6	Red	30165	3.40
277/480~288/500					7	Black	30166	3.40
347/600~400/690					5	Black	30167	3.40
		63	200~250	3P+PE		9	Blue	30168
	380~415				6	Red	30169	4.50
	480~500				7	Black	30170	4.50
	600~690				5	Black	30171	4.50
	200/346~240/415		3P+N+PE		6	Red	30172	4.50
	277/480~288/500				7	Black	30173	4.50
	125	200~250	3P+PE		9	Blue	30174	20.0
		380~415			6	Red	30175	20.0
		480~500			7	Black	30176	20.0
		600~690			5	Black	30177	20.0
		200/346~240/415	3P+N+PE		6	Red	30178	20.0
		277/480~288/500			7	Black	30179	20.0

## Plug and Sockets

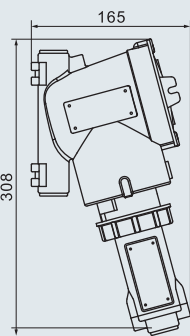
### BCZ85 Series Explosion-proof Plug and Sockets

#### Technical data

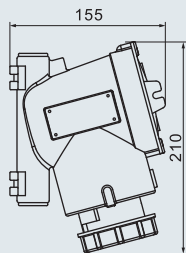
#### Explosion-proof plug and sockets BCZ85-16/□/□

<b>Explosion protection</b>	<ul style="list-style-type: none"> <li>Gas explosion protection: <math>\text{Ex II 2 G Ex d IIC T6 Gb}</math></li> <li>Dust explosion protection: <math>\text{Ex II 2 D Ex t IIIc T80°C Db IP66}</math></li> </ul>
<b>Certificates</b>	Nemko 12 ATEX 1044; IECEX CQM 12.0015; KZ.7500525.22.01.00363 (CU-TR)
<b>Conformity to standards</b>	EN 60079-0, EN 60079-1, EN 60079-31 IEC 60079-0, IEC 60079-1, IEC 60079-31
<b>Enclosure material</b>	Copper-free aluminium, powder coated surface
<b>Enclosure colour</b>	Window grey (RAL7040)
<b>Exposed fastener</b>	Stainless steel
<b>Rated voltage</b>	Max. 690V AC
<b>Rated current</b>	16A
<b>Number of pole</b>	3P (2P+PE), 4P (3P+PE), 5P (3P+N+PE)
<b>Degree of protection</b>	IP66, IP67 (optional)
<b>Ambient temperature</b>	-60°C~+55°C
<b>Cable entry of socket</b>	2 x M25 x 1.5(3P/4P), 2 x M32 x 1.5(5P)
<b>Cable entry of plug</b>	1 x M25 x 1.5(3P/4P) , 1 x M32 x 1.5(5P)
<b>Cable gland (optional)</b>	DQM-II (Ex d) or DQM-III (Ex d) is recommended. Please see P7/20~27.
<b>Cross section of cable</b>	2.5~4 mm <sup>2</sup>

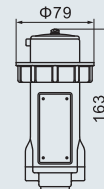
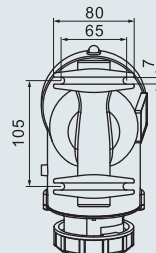
#### Dimension drawings (all dimensions in mm) - subject to alteration



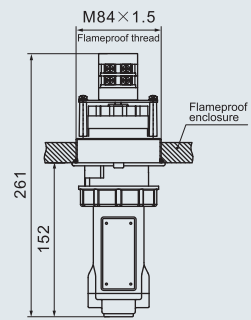
Plug and Sockets



Socket



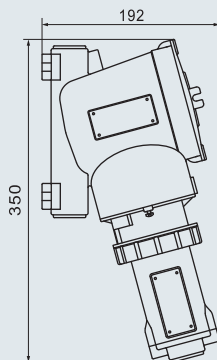
Plug



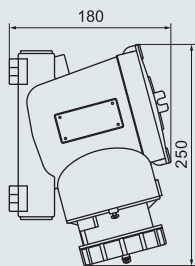
Install on the flameproof enclosure

BCZ85-16/□/3P

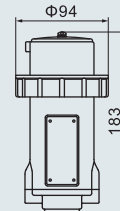
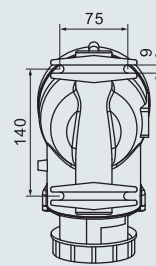
BCZ85-16/□/4P



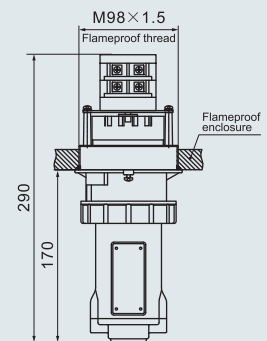
Plug and Sockets



Socket



Plug



Install on the flameproof enclosure

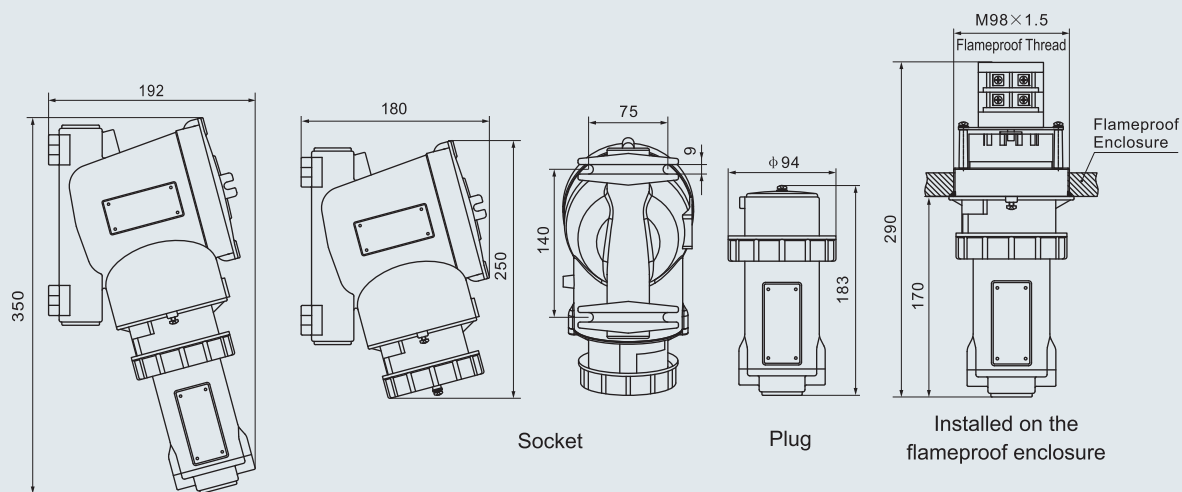
BCZ85-16/□/5P

## Plug and Sockets

### BCZ85 Series Explosion-proof Plug and Sockets

Technical data	
<b>Explosion-proof plug and sockets</b> BCZ85-32/□/□	
<b>Explosion protection</b>	
Gas explosion protection	⊕ II 2 G Ex d IIC T6 Gb
Dust explosion protection	⊕ II 2 D Ex t IIIC T80°C Db IP66
<b>Certificates</b>	Nemko 12 ATEX 1044; IECEx CQM 12.0015; KZ.7500525.22.01.00363 (CU-TR)
<b>Conformity to standards</b>	EN 60079-0, EN 60079-1, EN 60079-31 IEC 60079-0, IEC 60079-1, IEC 60079-31
<b>Enclosure material</b>	Copper-free aluminium, powder coated surface
<b>Enclosure colour</b>	Window grey (RAL7040)
<b>Exposed fastener</b>	Stainless steel
<b>Rated voltage</b>	Max. 690V AC
<b>Rated current</b>	32A
<b>Number of pole</b>	3P (2P+PE), 4P (3P+PE), 5P (3P+N+PE)
<b>Degree of protection</b>	IP66, IP67 (optional)
<b>Ambient temperature</b>	-60°C~+55°C
<b>Cable entry of socket</b>	2 x M32 x 1.5
<b>Cable entry of plug</b>	1 x M32 x 1.5
<b>Cable gland (optional)</b>	DQM-II (Ex d) or DQM-III (Ex d) is recommended. Please see P7/20~27.
<b>Cross section of cable</b>	4~6 mm <sup>2</sup>

#### Dimension drawings (all dimensions in mm) - subject to alteration



Plug and Sockets

Socket

Plug

Installed on the  
flameproof enclosure

BCZ85-32/□/□



## Plug and Sockets

### BCZ85 Series Explosion-proof Plug and Sockets

#### Technical data

#### Explosion-proof plug and sockets BCZ85-63/□/□

##### Explosion protection

Gas explosion protection

⊕ II 2 G Ex d IIC T6 Gb

Dust explosion protection

⊕ II 2 D Ex t IIIC T80°C Db IP66

##### Certificates

Nemko 12 ATEX 1247; IECEX CQM 12.0043X; KZ.7500525.22.01.00363 (CU-TR)

##### Conformity to standards

EN 60079-0, EN 60079-1, EN 60079-31

IEC 60079-0, IEC 60079-1, IEC 60079-31

##### Enclosure material

Copper-free aluminium, powder coated surface

##### Enclosure colour

Window grey (RAL7040)

##### Exposed fastener

Stainless steel

##### Rated voltage

Max. 690V AC

##### Rated current

63A

##### Number of pole

4P (3P+PE), 5P (3P+N+PE)

##### Degree of protection

IP66, IP67 (optional)

##### Ambient temperature

-60°C~+55°C

##### Cable entry of socket

2 x M40 x 1.5

##### Cable entry of plug

1 x M50 x 1.5

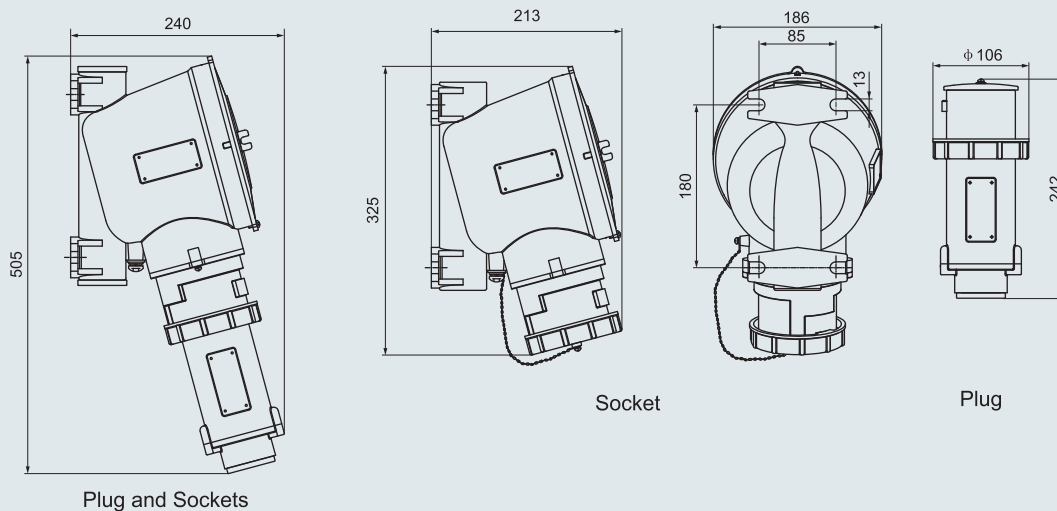
##### Cable gland (optional)

DQM-II (Ex d) or DQM-III (Ex d) is recommended. Please see P7/20~27.

##### Cross section of cable

10~16 mm<sup>2</sup>

#### Dimension drawings (all dimensions in mm) - subject to alteration



BCZ85-63/□/□

## Plug and Sockets

### BCZ85 Series Explosion-proof Plug and Sockets

#### Technical data

#### Explosion-proof plug and sockets BCZ85-125/□/□

##### Explosion protection

Gas explosion protection

⊕ II 2 G Ex d IIC T6 Gb

Dust explosion protection

⊕ II 2 D Ex t IIIC T80°C Db IP66

##### Certificates

Nemko 13 ATEX 1531; IECEx CQM 13.0033X; KZ.7500525.22.01.00363 (CU-TR)

##### Conformity to standards

EN 60079-0, EN 60079-1, EN 60079-31

IEC 60079-0, IEC 60079-1, IEC 60079-31

##### Enclosure material

Copper-free aluminium, powder coated surface

##### Enclosure colour

Window grey (RAL7040)

##### Exposed fastener

Stainless steel

##### Rated voltage

Max. 690V AC

##### Rated current

125A

##### Number of pole

4P (3P+PE), 5P (3P+N+PE)

##### Degree of protection

IP66, IP67 (optional)

##### Ambient temperature

-60°C~+55°C

##### Cable entry of socket

1 x M63 x 1.5

##### Cable entry of plug

1 x M50 x 1.5

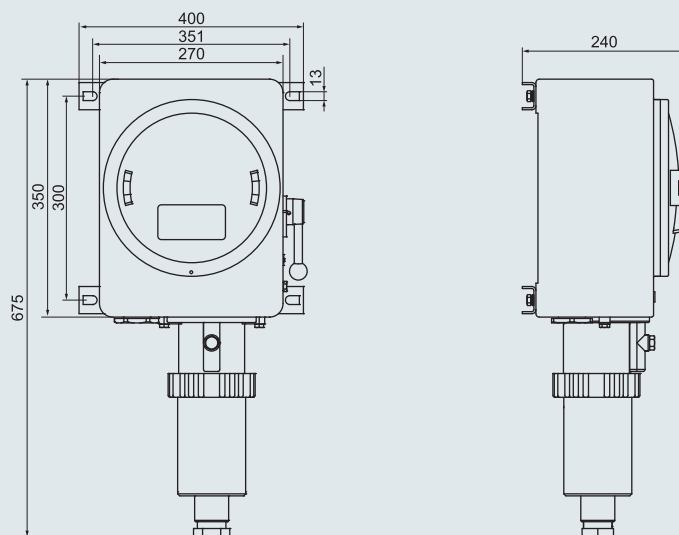
##### Cable gland (optional)

DQM-II (Ex d) or DQM-III (Ex d) is recommended. Please see P7/20~27.

##### Cross section of cable

25~35 mm<sup>2</sup>

#### Dimension drawings (all dimensions in mm) - subject to alteration



BCZ85-125/□/□

