

WELLGLASS

EV.. Series well glass lighting fixture for halogen and fluorescent lamps



EV.. series well glass lighting fixtures are suitable for hazardous areas of industrial plants for lighting of indoor and outdoor structures, for which narrow or wide beam lighting is needed.

These luminaries have been designed to house energy saving lamps; light source can be driven where required by way of suitable reflectors.

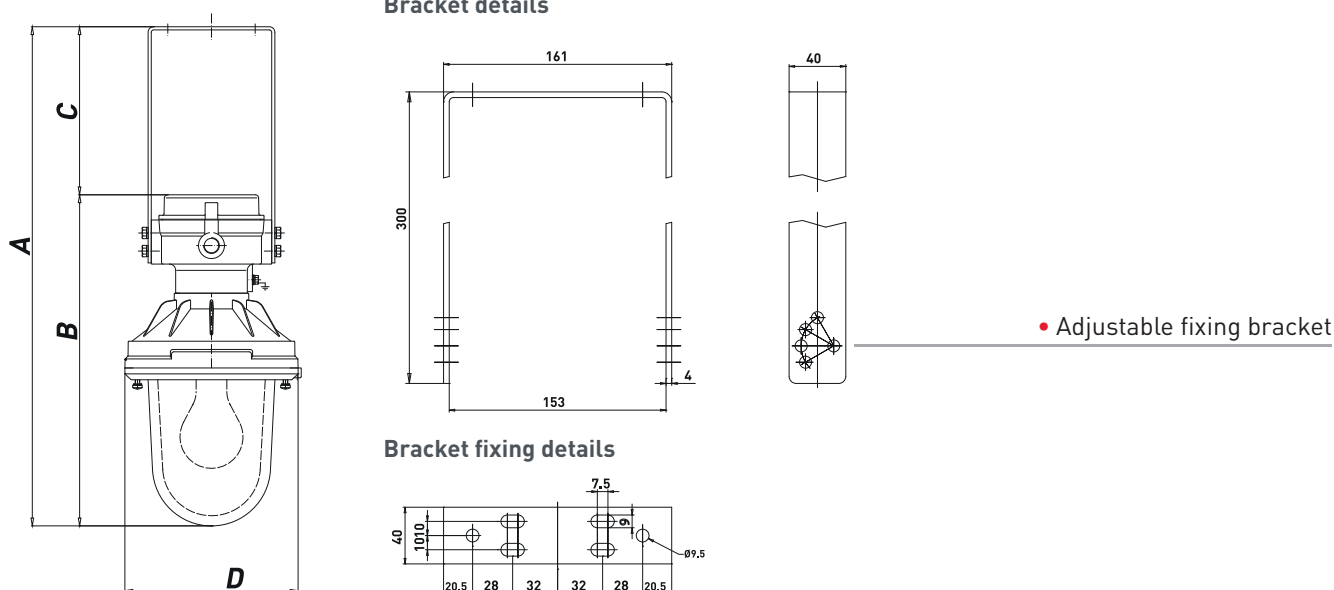
EV.. luminaries, provided in a wide range of wattage, have an excellent corrosion resistance due to the body made of aluminium with low content of copper and tempered glass of lamp compartment.

TECHNICAL FEATURES

Material	Aluminium with low content of copper
IP rating	IP65
Ambient temperature range	-52°C to +60°C
Approvals	INERIS 01ATEX0019X (standard) GOST R (marking upon request, ordering code to be required)
Marking	II 2 GD Ex-d IIC T(**) Gb for all EV.. Ex-de IIC T(**) Gb for all EVde.. Ex-tb IIIC T(**) Db IP65 ** T5/T100°C, T4/T135°C, T3/200°C
Gaskets	O-ring made of Nitrile Rubber (NBR)
Surface treatment	Green colour polyurethane painting cycle RAL6003 (other colour available upon request)
Entries	N° 2 entries M25x1,5 (EVde and EVCC version) N° 1 entry M25x1,5 (EVA version) (plugs and cable glands excluded)
Hardware and screws	AISI304 Stainless steel external hardware and screws
Lamps	Included
Rated operation voltage (UE)	HALOGEN LAMPS 230V (standard) 220V, 240V (upon request) FLUORESCENT LAMPS 220/240V
Frequency	50/60 Hz
Accessories available upon request	Protection guard Reflector Pole mounting kit (EVde version)



Dimensions EVde



EVde well glass lighting fixtures

EVde version, with integrated Ex-e junction box, allows end users and contractors the possibility to save one junction box, two cable glands and a minimum of 30 minutes of labour during installation process.

This version is supplied complete with an adjustable AISI304 stainless steel mounting bracket suitable for ceiling, wall and suspension installation.

(HA) Halogen – Energy saving

TYPE	CODE	LAMP [W]	WEIGHT [W]	TEMP. CLASS	AMBIENT TEMPERATURE	DIMENSIONS [mm]			
						A	B	C	D
EVDE-1/HA 42	A0406.020010	42 (OLD 60W INC)	2.90	T3*	(-52°;+60°)	505	291	214	146
EVDE-2/HA 42	A0406.021010	42 (OLD 60W INC)	3.10	T3*	(-52°;+60°)	550	336	214	163
EVDE-2/HA 70	A0406.022010	70 (OLD 100W INC)	3.10	T3*	(-52°;+60°)	550	336	214	163
EVDE-2/HA 105	A0406.023010	105 (OLD 150W INC)	3.10	T3*	(-52°;+60°)	550	336	214	163
EVDE-3/HA 140	A0406.034010	140 (OLD 200W INC)	4.40	T3*	(-52°;+60°)	584	370	214	194

* In case of maximum ambient temperature reach +40°C, temperature class changes into T4 (ordering code to be required)

(FC) Fluorescent compact – Energy saving long life (8000h)

TYPE	CODE	LAMP [W]	WEIGHT [W]	TEMP. CLASS	AMBIENT TEMPERATURE	DIMENSIONS [mm]			
						A	B	C	D
EVDE-4/FC 45	A0406.041110	45 (OLD 200W INC)	7.00	T5	(-52°;+60°)	635	421	214	220
EVDE-4/FC 65	A0406.042110	65 (OLD 300W INC)	7.00	T4	(-52°;+60°)	635	421	214	220
EVDE-5/FC 75	A0406.053110	75 (OLD 400W INC)	9.00	T4	(-52°;+60°)	715	501	214	281

* In case of maximum ambient temperature reach +40°C, temperature class changes into T4 (ordering code to be required).
Below -20°C, fluorescent lamp can be used, providing they are switched on 24 hours a day.