

---

# Product datasheet

## P PAR 16 50 36° 4.3 W/827 GU10

PARATHOM PAR16 | LED reflector lamps PAR16 with retrofit pin base



## Technical data

### Electrical data

Rated wattage	4.30 W
Nominal wattage	4.30 W
Nominal voltage	220...240 V
Claimed equiv. conventional lamp power	50 W
Operating frequency	50/60 Hz
Max. lamp no. on circuit break. 10 A (B)	41
Max. lamp no. on circuit break. 16 A (B)	52
Nominal current	0.035 A

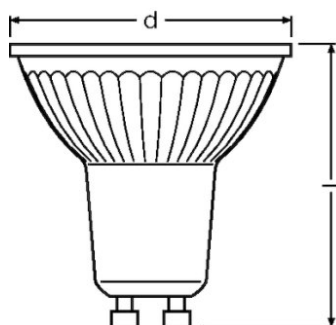
### Photometrical data

Luminous intensity	850 cd
Nominal luminous flux	350 lm
Rated luminous flux	350 lm
Rated color temperature	2700 K
Color rendering index Ra	≥80
Light color (designation)	Warm White
Standard deviation of color matching	≤6 sdc <sub>m</sub>
Nominal useful luminous flux 90°	350 lm
Rated useful luminous flux 90°	350 lm
Rated peak intensity	720 cd
Color temperature	2700 K
Luminous flux	350 lm
Lumen main.fact.at end of nom.life time	0.70

### Light technical data

Beam angle	36 °
Nominal beam angle	36 °
Rated beam angle (half peak value)	36.00 °
Starting time	< 0.5 s

## Dimensions & weight



Overall length	55.0 mm
Diameter	51.0 mm
Outer bulb	PAR51
Product weight	45.00 g
Length	55.0 mm
Maximum diameter	51.0 mm

## Temperatures & operating conditions

Ambient temperature range	-20...+40 °C
---------------------------	--------------

## Lifespan

Nominal lamp life time	15000 h
Rated lamp life time	15000 h
Number of switching cycles	100000
Lumen maintenance at end of service life	0.70

## Additional product data

Base (standard designation)	GU10
Mercury content	0.0 mg
Mercury-free	Yes
Appropriate disposal acc. to WEEE	Yes
Successor EAN	4058075608153
Product remark	All technical parameters apply to the entire lamp/Due to the complex production process for light-emitting diodes, the typical values shown for the technical LED parameters are purely statistical values that do not necessarily match the actual technical parameters of each individual product, which can vary from the typical value

## Product datasheet

Predecessor EAN	4052899958104
-----------------	---------------

### Capabilities

Dimmable	No
----------	----

### Certificates & standards

Energy efficiency class	F
Energy consumption	5 kWh/1000h
Type of protection	IP20

### Country specific categorizations

ILCOS	DRPAR-4,3/827-220-240-GU10-50/36
Order reference	LPPAR165036 4,3

### Environmental information

Date of Declaration	10-11-2021
Primary Article Identifier	4052899958104   4058075608153
Candidate List Substance 1	No declarable substances contained
CAS No. of substance 1	No CAS
Declaration No. in SCIP database	No declarable substances contained

### Logistical Data

Product code	Product description	Packaging unit (Pieces/Unit)	Dimensions (length x width x height)	Volume	Gross weight
4052899958104	P PAR 16 50 36° 4.3 W/827 GU10	Shipping carton box 10 Pieces Folding carton box	257 mm x 110 mm x 70 mm	1.98 dm <sup>3</sup>	548.40 g
4058075608153	P PAR 16 50 36° 4.3 W/827 GU10	Shipping carton box 10 Pieces Folding carton box	257 mm x 110 mm x 70 mm	1.98 dm <sup>3</sup>	488.00 g

The mentioned product code describes the smallest quantity unit which can be ordered. One shipping unit can contain one or more single products. When placing an order, for the quantity please enter single or multiples of a shipping unit.

### References / Links

For further products and actual information concerning LED lamps see

- ▶ [www.osram.com/ledlamps](http://www.osram.com/ledlamps)

For Guarantee see

- ▶ [www.osram.com/guarantee](http://www.osram.com/guarantee)

## Product datasheet

---

### Disclaimer

Subject to change without notice. Errors and omission excepted. Always make sure to use the most recent release.

OSRAM is distribution partner  
of LEDVANCE of LAMPS

**OSRAM**

OSRAM GmbH  
Marcel-Breuer-Strasse 6  
80807 Munich, Germany