

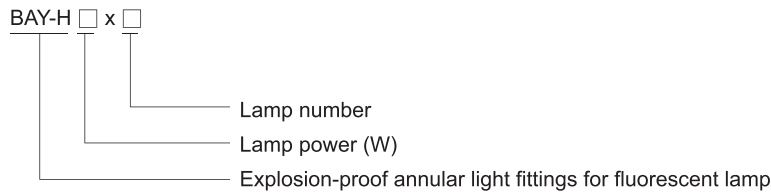
Light Fittings for Fluorescent Lamp

BAY-H Series Explosion-proof Annular Light Fittings for Fluorescent Lamp



- ◆ Explosion protection to
 - CENELEC
 - IEC
 - NEC
- ◆ Can be used in
 - Zone 1 and Zone 2
 - Zone 21 and Zone 22
 - Class I, Zone 1 and Zone 2
 - Class I, Division 1, Groups C, D
- ◆ Power: 21W x 1, 21W x 2.
- ◆ Enclosure in copper-free aluminium, powder coated surface, yellow (RAL1021).
- ◆ Powder coated wire guard, white.
- ◆ Toughened glass cover resistant to temperature changes.

Catalogue number logic



Selection table

Type / Ordering code	Lamp power(W)	Weight(kg)	Type / Ordering code	Lamp power(W)	Weight(kg)
BAY-H21 x 1	21 x 1	5.00	BAY-H21 x 2	21 x 2	5.60

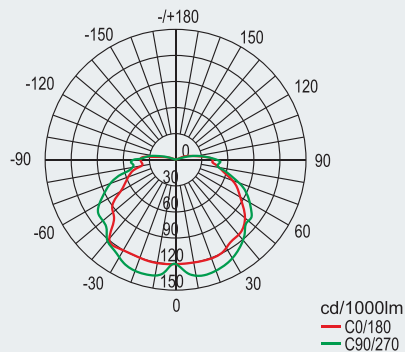
Note: The light fittings are supplied with lamps.



Photometric data

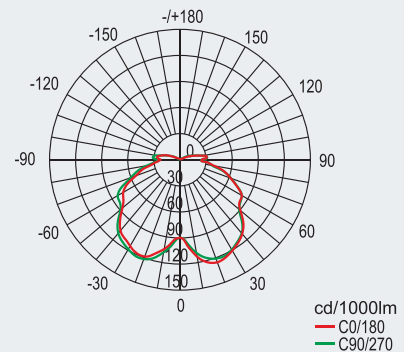
BAY-H 21x1

Rated luminous flux
21Wx1: 1000lm



BAY-H 21x2

Rated luminous flux
21Wx2: 2000lm



We can provide lighting design and data by professional lighting software DIALUX based upon simulated site situation on request.

Zones 1&2; 21&22

Light Fittings for Fluorescent Lamp

BAY-H Series Explosion-proof Annular Light Fittings for Fluorescent Lamp

Technical data

Explosion-proof annular light fittings for fluorescent lamp BAY-H□ × □

Explosion protection

Gas explosion protection

⊕ II 2 G Ex d IIB T5 Gb

Dust explosion protection

⊕ II 2 D Ex tb IIIC T95°C Db IP65

Certificates

LCIE 07 ATEX 6087; IECEx CQM 08.0003

Conformity to standards

EN 60079-0: 2012, EN 60079-1: 2007, EN 60079-31: 2009

IEC 60079-0: 2011, IEC 60079-1: 2007, IEC 60079-31: 2008

Material

Enclosure

Copper-free aluminium, powder coated surface, yellow (RAL1021)

Wire guard

Powder coated carbon steel (white)

Transparent cover

Toughened glass, stands 4J impact

Ballast

Electronic ballast, power factor ≥ 0.95

Reflector (internal)

High-purity aluminium

Exposed fastener

Stainless steel

Lamp

Lamp specification

Biax 2D-4pin (GE Brand)

Lamp power (W)

21W x 1, 21W x 2

Lamp holder

GR-10q

Rated voltage

220~240V AC 50/60Hz

Earthing protection

M5 (internal & external earth bolts)

Degree of protection

IP65

Ambient temperature

-20°C~+55°C

Terminal

3 x 1.5~2.5mm² (L+N+PE)

Cable entries

2 x M25x1.5 plugs

Cable gland(optional)

DQM-II (Ex d) or DQM-III (Ex d) is recommended. Please see P7/20~27



Dimension drawings (all dimensions in mm) - subject to alteration

