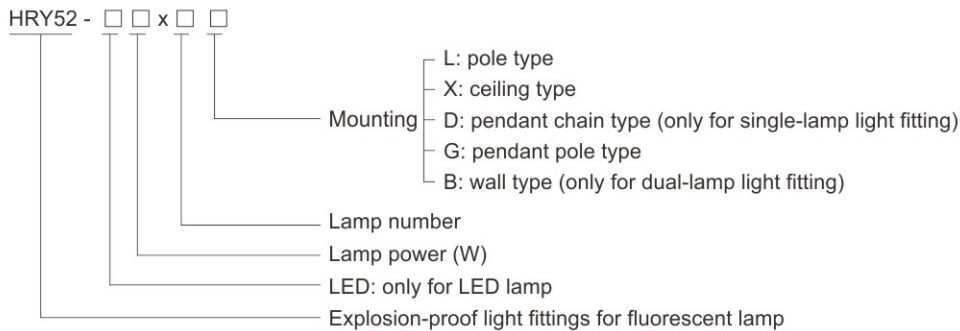


Light Fittings for Fluorescent Lamp HRY52 Series Explosion-proof Light Fittings for Fluorescent Lamp



- ◆ Explosion Protection to
 - CENELEC
 - IEC
 - NEC
- ◆ Can be used in
 - Zone 1 and Zone 2
 - Zone 21 and Zone 22
- ◆ Available lamp and power
 - T8 Fluorescent Lamps: 18W x 1, 36W x 1, 18W x 2, 36W x 2
 - LED lamps: 9W x 1, 18W x 1, 9W x 2, 18W x 2
- ◆ T8 Fluorescent Lamps: Built-in electromagnetic ballast (Electronic ballast is optional, please specify when ordering).
- ◆ LED lamps: Built-in LED driver, wide voltage input, CC-CV (constant current - constant voltage) output, power factor ≥0.95.
- ◆ Enclosure in Copper-free Aluminium Alloy, powder coated surface, yellow (RAL1021).

Catalogue number logic



Selection table

Type / Ordering code	Lamp power(W)	Weight (kg)	Type / Ordering code	Lamp power(W)	Weight (kg)	Type / Ordering code	Lamp power(W)	Weight (kg)
HR Y52-18 x 1X	18 x 1	3.90	HR Y52-36 x 2X	36 x 2	12.00	HR Y52-LED 9 x 2X	9 x 2	7.80
HR Y52-18 x 1L	18 x 1	4.00	HR Y52-36 x 2L	36 x 2	11.70	HR Y52-LED 9 x 2L	9 x 2	7.50
HR Y52-18 x 1D	18 x 1	4.20	HR Y52-36 x 2G	36 x 2	12.50	HR Y52-LED 9 x 2D	9 x 2	8.10
HR Y52-18 x 1G	18 x 1	4.20	HR Y52-36 x 2B	36 x 2	12.40	HR Y52-LED 9 x 2G	9 x 2	8.70
HR Y52-36 x 1X	36 x 1	4.80	HR Y52-LED 9 x 1X	9 x 1	4.10	HR Y52-LED 18 x 2X	18 x 2	12.20
HR Y52-36 x 1L	36 x 1	5.00	HR Y52-LED 9 x 1L	9 x 1	4.20	HR Y52-LED 18 x 2L	18 x 2	11.90
HR Y52-36 x 1D	36 x 1	5.10	HR Y52-LED 9 x 1D	9 x 1	4.40	HR Y52-LED 18 x 2D	18 x 2	12.70
HR Y52-36 x 1G	36 x 1	5.10	HR Y52-LED 9 x 1G	9 x 1	4.40	HR Y52-LED 18 x 2G	18 x 2	12.60
HR Y52-18 x 2X	18 x 2	7.60	HR Y52-LED 18 x 1X	18 x 1	5.00			
HR Y52-18 x 2L	18 x 2	7.30	HR Y52-LED 18 x 1L	18 x 1	5.20			
HR Y52-18 x 2G	18 x 2	7.90	HR Y52-LED 18 x 1D	18 x 1	5.30			
HR Y52-18 x 2B	18 x 2	8.50	HR Y52-LED 18 x 1G	18 x 1	5.30			

Note: 1. Products above include all the mounting accessories listed in Mounting Accessories & Spare Parts Table (see P2/30~31).
 2. Wall type is applicable for dual-lamp light fitting only.
 3. Pendant chain type is applicable for single-lamp light fitting only.

Zones 1&2; 21&22

Light Fittings for Fluorescent Lamp

HRY52 Series Explosion-proof Light Fittings for Fluorescent Lamp

Technical data

Explosion-proof light fittings for fluorescent lamp HRY52-□□×□□

Explosion protection

PCEC (China)

Gas and dust

PCEC (China)

⊕ II 2 G Ex d IIC T6 Gb

Ex tD A21 IP66 T80°C

PCEC (China)

IEC 60079-0, IEC 60079-1, IEC 61241-0, IEC 61241-1

Certificates

Conformity to standards

Material

Enclosure

Copper-free Aluminium Alloy, powder coated surface, yellow (RAL1021)

Ballast

Electromagnetic ballast (Electronic ballast is optional)

External reflector

Powder coated pure aluminium

Exposed fastener

Stainless steel

LED driver

Wide voltage input, CC-CV (constant current - constant voltage) output, power factor ≥ 0.95 , with function of distributed current, constant current, surge-proof and anti-electromagnetic interference, and protection against overcurrent, open circuit, and short circuit.

Lamp

Lamp specification

T8 fluorescent lamp (supplied with the light fittings)

LED module (supplied with the light fittings)

Lamp power (W)

T8: 18Wx1, 36Wx1, 18Wx2, 36Wx2

LED: 9Wx1, 18Wx1, 9Wx2, 18Wx2

Colour rendering index (Ra)

LED: ≥ 80

LED Colour temperature (CCT)

5000K

Note: nature white is available in general. Warm white or cool white is optional, please specify when ordering.

Rated voltage

T8: 220~240V AC 50Hz (60Hz is optional) (with electromagnetic ballast)

T8: 220~240V AC 50/60Hz (with electronic ballast)

LED: 110~265V AC 50/60Hz

Earthing protection

M5 (internal & external earth bolts)

Degree of protection

IP66

Ambient temperature

-20°C~+55°C

Terminal

3 x 1.5~2.5mm² (L+N+PE)

Cable entries

1 x G3/4" (1 x M25 x 1.5 for pole type dual-lamp light fittings, M25 x 1.5 or M20 x 1.5 with connector on request)

Cable gland

See Mounting Accessories & Spare Parts Table

Available cable outer diameter

Φ 10~Φ 14 (mm)

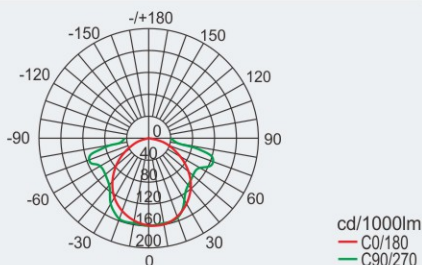


Photometric data Note: LED luminous flux is from the standard product of which colour temperature is 5000K

HRY52-□□x1□

Lamp power (W)	Rated luminous flux (Lamp tube)	Luminaire efficiency
T8 18 x 1	1300lm	61%
T8 36 x 1	3250lm	61%

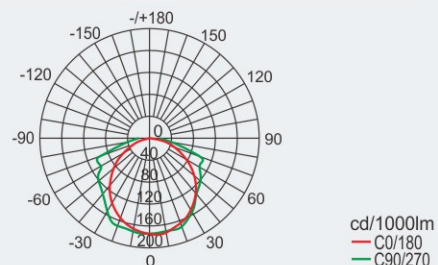
Lamp power (W)	Luminous flux	Wattage	Luminous efficacy
LED 9 x 1	915lm	9.5W	96lm/W
LED 18 x 1	1730lm	18W	96lm/W



HRY52-□□x2□

Lamp power (W)	Rated luminous flux (Lamp tube)	Luminaire efficiency
T8 18 x 2	2600lm	62%
T8 36 x 2	6500lm	62%

Lamp power (W)	Luminous flux	Wattage	Luminous efficacy
LED 9 x 2	1840lm	19W	97lm/W
LED 18 x 2	3530lm	36W	98lm/W

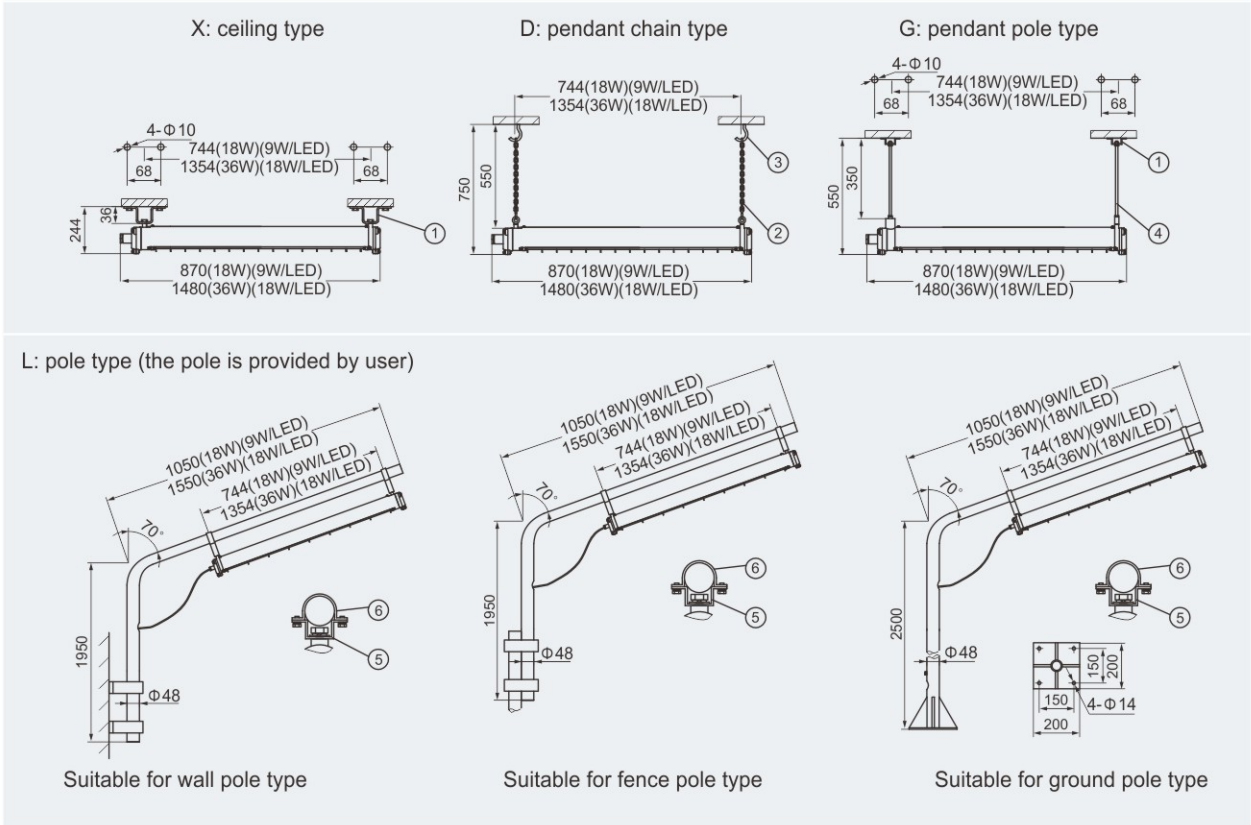


We can provide lighting design and data by professional lighting software DIALUX based upon simulated site situation on request.

Light Fittings for Fluorescent Lamp HRY52 Series Explosion-proof Light Fittings for Fluorescent Lamp

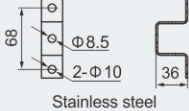

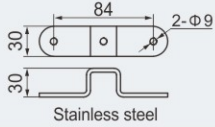
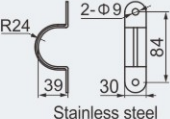
Mounting type for light fittings with single lamp tube (all dimensions in mm) - subject to alteration

Installation reference



Mounting Accessories & Spare Parts Table (light fittings with single lamp tube)

Supplied according to the mounting type

Mounting type	Accessories			Ordering code	Weight (kg)
	Name	Qty	Illustration		
X: ceiling type	①.Mounting bracket	2	 Stainless steel	51S01G1	0.04
	②.Chain	2	Length: 450mm	5136016	0.08
D: pendant chain type	③.Hook expansion bolt	2		52017	0.03
	①.Mounting bracket	2	Stainless steel, same as ceiling type	51S01G1	0.04
G: pendant pole type	④.M8 Screw	2	Stainless steel, length: 350mm	51S01G2	0.12
	⑤.Mounting bracket	2	 Stainless steel	5136012	0.04
L: pole type	⑥.G1 1/2" Pipe clamp	2	 Stainless steel	5136014	0.04

Note: Accessories not in the table shall be supplied by user.

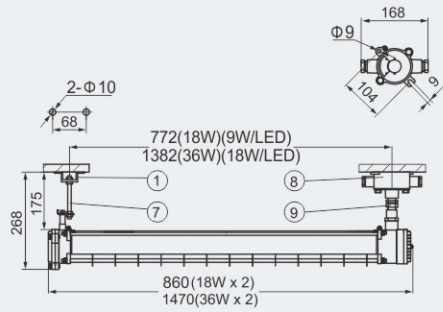
Light Fittings for Fluorescent Lamp

HR52 Series Explosion-proof Light Fittings for Fluorescent Lamp

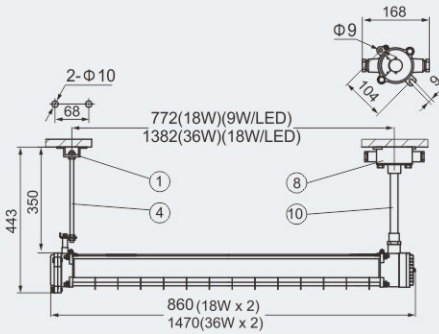
Mounting type for light fittings with dual lamp tube (all dimensions in mm) - subject to alteration

Installation reference

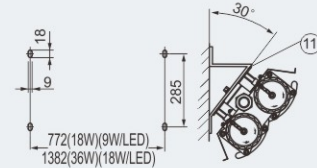
X: ceiling type



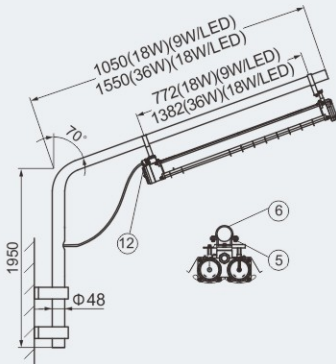
G: pendant pole type



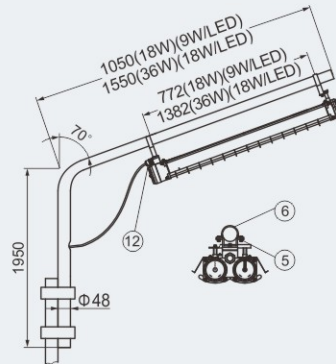
B: wall type



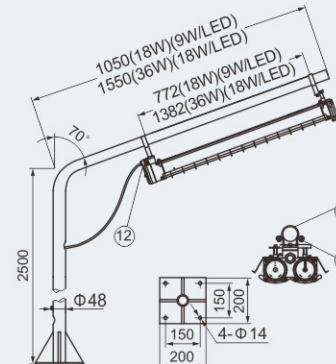
L: pole type (the pole is provided by user)



Suitable for wall pole type



Suitable for fence pole type



Suitable for ground pole type



Mounting Accessories & Spare Parts Table (light fittings with dual lamp tube)

Supplied according to the mounting type

Mounting type	Accessories			Ordering code	Weight (kg)
	Name	Qty	Illustration		
X: ceiling type	①. Mounting bracket	1	Stainless steel, same as light fittings with single lamp	51S01G1	0.04
	⑦. M8 Screw	1	Stainless steel, length: 150mm	52D01X1	0.08
	⑧. BHD51 Explosion-proof junction box	1	G3/4"(Ex e)	52D01X2	0.40
	⑨. BGJ-III Explosion-proof connector	1	Stainless steel, G3/4"(M)/G3/4"(M)	See P7/8	0.28
G: pendant pole type	①. Mounting bracket	1	Stainless steel, same as light fittings with single lamp	51S01G1	0.04
	④. M8 Screw	1	Stainless steel, length: 350mm	51S01G2	0.12
	⑧. BHD51 Explosion-proof junction box	1	G3/4"(Ex e)	52D01X2	0.40
	⑩. Straight pipe (G3/4")	1	Length: 250mm	52D01G1	0.34
B: wall type	⑪. Wall bracket	2	Stainless steel, welded sheet steel	5236B01	0.60
L: pole type	⑤. Mounting bracket	2	Stainless steel, same as light fittings with single lamp	5136012	0.04
	⑥. G1 1/2" Pipe clamp	2	Stainless steel, same as light fittings with single lamp	5136014	0.04
	⑫. DQM-II Explosion-proof cable gland	1	M25 x 1.5	See P7/20	0.25

Note: Accessories not in the table shall be supplied by user.